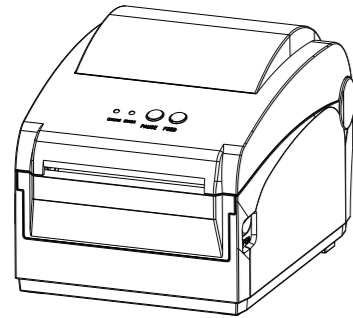


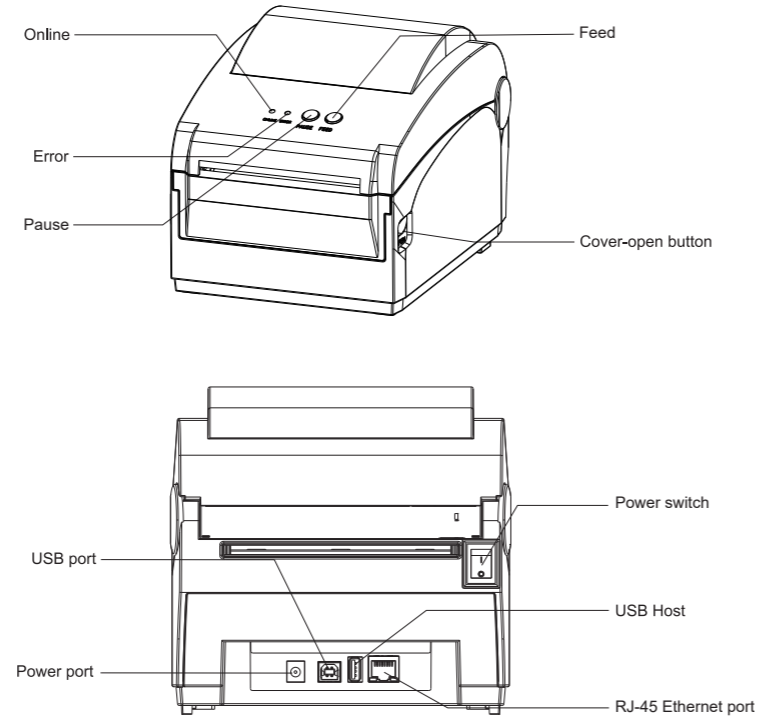


Installation Manual

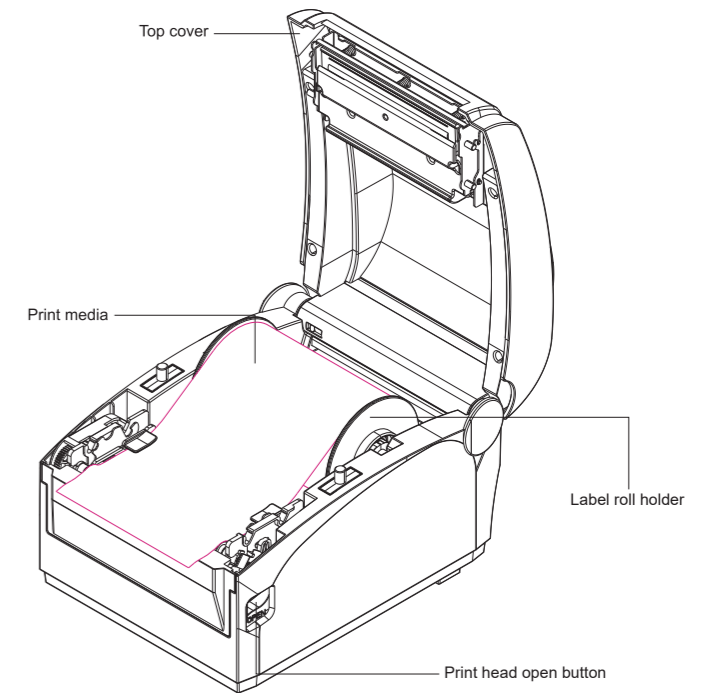
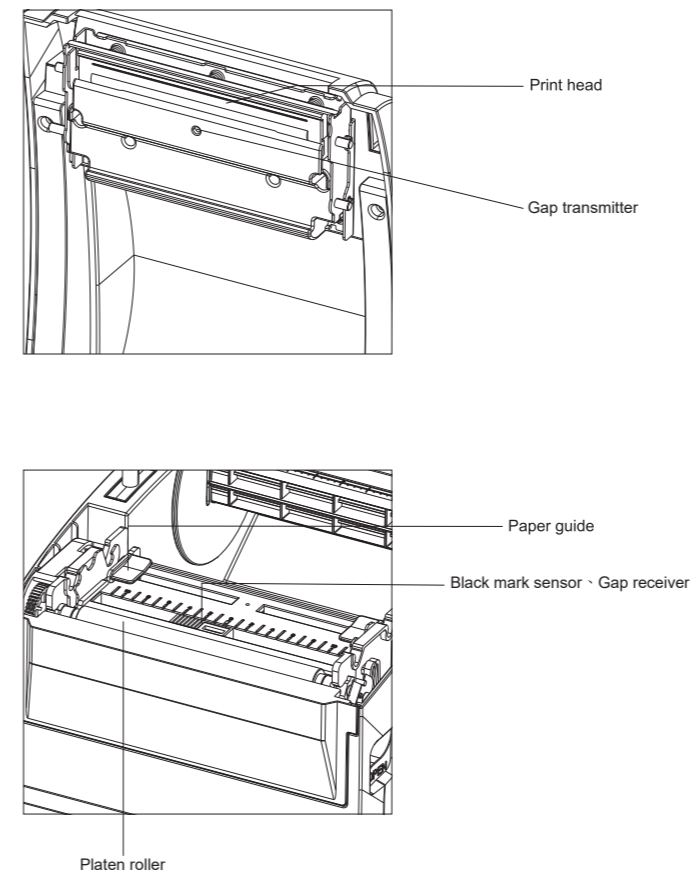
For Thermal Barcode Printer
Surpass Series



Please read this user guide before printer operation and keep this guide for reference.



Note: The interface of printer showed in picture may have some differences from the model your purchased. As for the actual interface, please refer to the product specifications



*If you need more information about the product, please refer to the User's Manual in CD.
*The printer specification, accessory, spare parts and program are subject to change without prior notice.

Print media loading

<p>1. Press one button on printer one sides to lift and open the top cover.</p>	<p>2. Load the label into the label roll holder.</p>
<p>3. Load print media into the printer.</p>	<p>4. Pull out the print media till it pass sensor; adjust the paper guide to be same width of print media, complete media loading.</p>

Ribbon and print media loading diagram

